



Marking system

18

Marking system 18

For marking of cables and conduits in all types of installations

Wide-ranging markers

- Only 3 references for all cable diameters.
- Excellent grip on the cable due to their geometrical design.
- Suitable for indoor and outdoor use.



Quality marks



Conformity declaration



Marking system 18 ►

■ Yellow RAL 1018

See updated information of each part number on www.unex.net

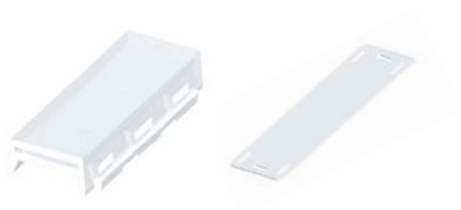


Marking system 18

For indoor and outdoor installations

Marker plates and label-holders

- Indoor use.
- Halogen free (See raw material's technical data).



Quality marks



Conformity declaration



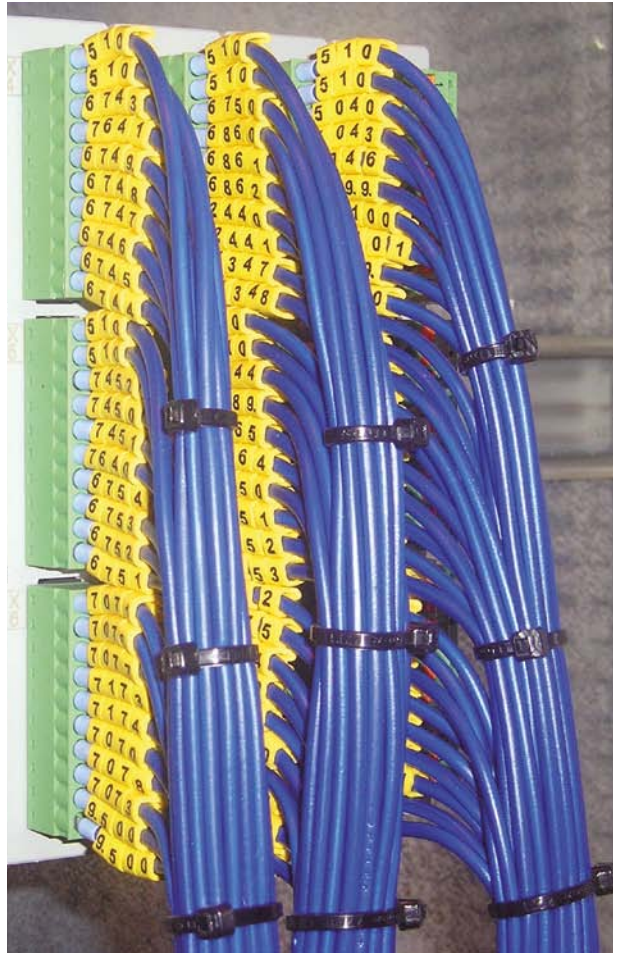
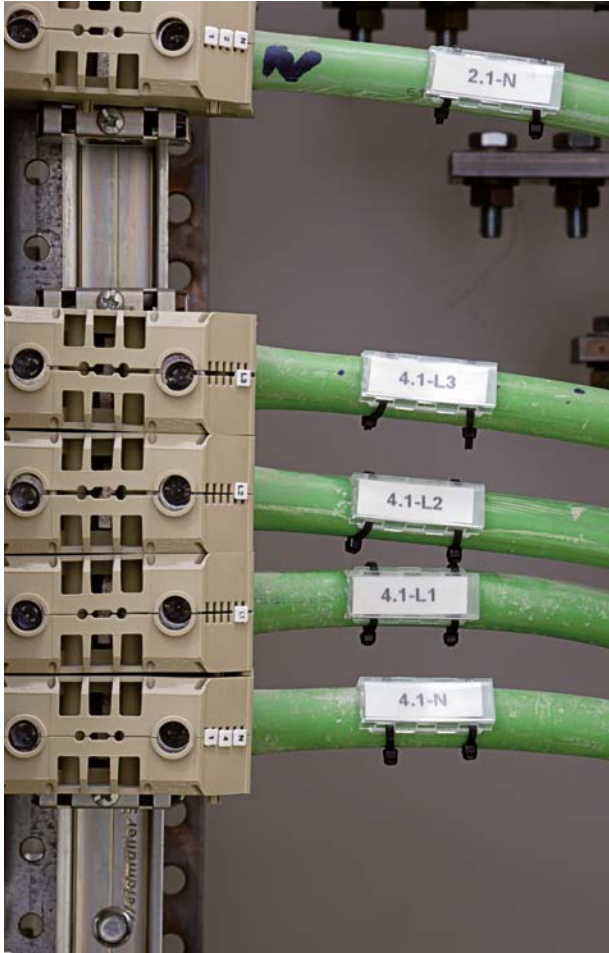
Label-holders ►

Marker plates

Natural colour

See updated information of each part number on www.unex.net

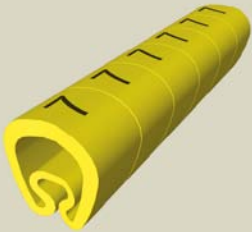
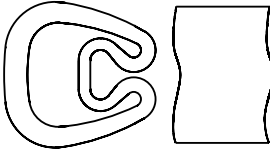
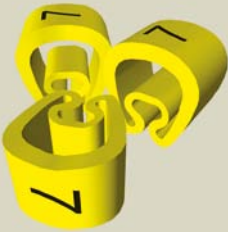
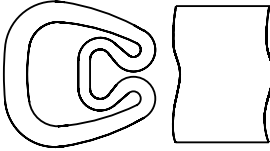
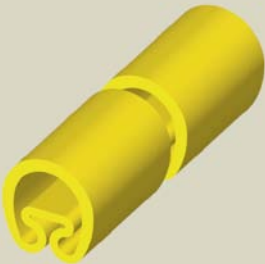
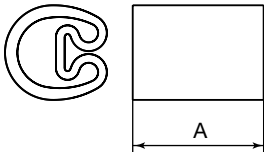

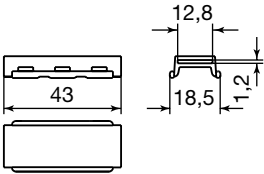



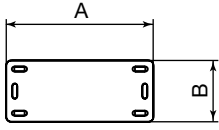



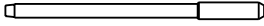
Marking system 18

Marking system 18				
Yellow RAL 1018				
1		$\varnothing = 2$ to 5 mm	1811	
		Adjustable markers Numbers 0 to 9 Letters A to Z Signs + - = ~ ↓ Blank Character: Black	$\varnothing = 4$ to 8 mm	1812
		$\varnothing = 7$ to 18 mm	1813	
2		$\varnothing = 2$ to 5 mm	1821	
3		$\varnothing = 2$ to 5 mm L = 18 mm	1851-M	
		$\varnothing = 4$ to 8 mm L = 25 mm	1852-M	
		$\varnothing = 7$ to 18 mm L = 28 mm	1853-M	
4		Label-holders	2002	
5		18 x 40 mm	2151	
		Marker plates Indelible writing with marker pen part no. 1751 on both sides.	25 x 60 mm	2152
6		Marker pen Pencil line: 0,4 mm.	1751	

Sizes (mm)

1. Adjustable markers		Part no.	Application ø cables mm	Pack pc.		
		1811	2 to 5	1.000		
		1812	4 to 8	1.000		
		1813	7 to 18	1.000		
		Numbers 0 to 9 Letters A to Z Signs + - = ~ ↓ Blank Character: Black Colour: Yellow RAL 1018 Material: PVC plasticized				
2. Detached adjustable markers		Part no.	Application ø cables mm	Pack pc.		
		1821	2 to 5	1.000		
		Numbers 0 to 9 Character: Black Colour: Yellow RAL 1018 Material: PVC plasticized				
3. Sleeve		Part no.	Sizes A mm	Application ø cables mm	Pack pc.	
		1851-M	18	2 to 5	1.000	
		1852-M	25	4 to 8	1.000	
		1853-M	28	7 to 18	1.000	
		Colour: Yellow RAL 1018 Material: PVC plasticized Note: Indelible writing with marker pen part no. 1751.				
4. Label-holders		Part no.	Cable tie application		Pack pc.	
			Int.	Ext.	Acid environments	
		2002	2221	2221-0	2244-1	2247-1
			2225	2225-0		
			2233	2233-3	2233-0	
			2235	2235-0		
			2237	2237-0		
			2244	2244-3	2244-0	
			2247	2247-3	2247-0	
			2249	2249-0		
		Colour: Transparent Material: PC				

5. Marker plates		Part no.	Sizes		Cable tie application int.			Pack
 		A	B				pc.	
		mm						
		2151	40	18	2221	2225	2233	1.000
					2235	2237	2244	
					2247	2249		
		2152	60	25	2221	2225	2233	1.000
					2235	2237	2244	
					2247	2249		
		Colour: Natural			Material: U60X			
		Note: Indelible writing with marker pen part no. 1751 on both sides.						

6. Marker pen		Part no.	Application		Pack	
 		Sleeve	Marker plates		pc.	
				1751	1851-M 1852-M 1853-M	2151 2152
		Colour: Black				
		Note: Pencil line: 0,4 mm.				