

Trunking **93**
in **U23X** aluminium colour

Trunking **93** in **U23X** aluminium colour


Designed to fit in the most demanding architectural and decorative surroundings

- Integration into the surroundings due to the aluminium finishing.
- **Free choice of switches and sockets.**
- Possibility to **attach or flush-mount** in walls and furniture.
- Standard product, immediate availability.

Raw material

U23X Trunking

U24X Fittings, accessories and switches and sockets adapters

Compliant 

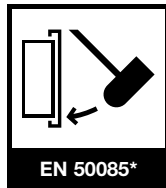
Safety

Electrical



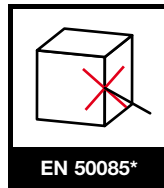
- Insulating material
- No earthing required

Mechanical



- **IK07** type 3 (distribution and mounting of switches and sockets)

Protection degree



- **IP4X**, mounted on the wall

In front of fire



- Glow-wire test **960 °C**
- Non-flame propagator
- Reaction to fire, Class **M1** acc./ UNE 23727 NFP 92507

Quality marks



Approvals



Conformity declaration



Trunking **93** ►

Length: 2 m

■ Aluminium colour RAL 9006

See updated information of each part number on www.unex.net

* BS EN 50085-2-1 is the UK implementation of EN 50085-2-1







Mounting options

On wall



Embedded



The trunking acts as a surface connection box



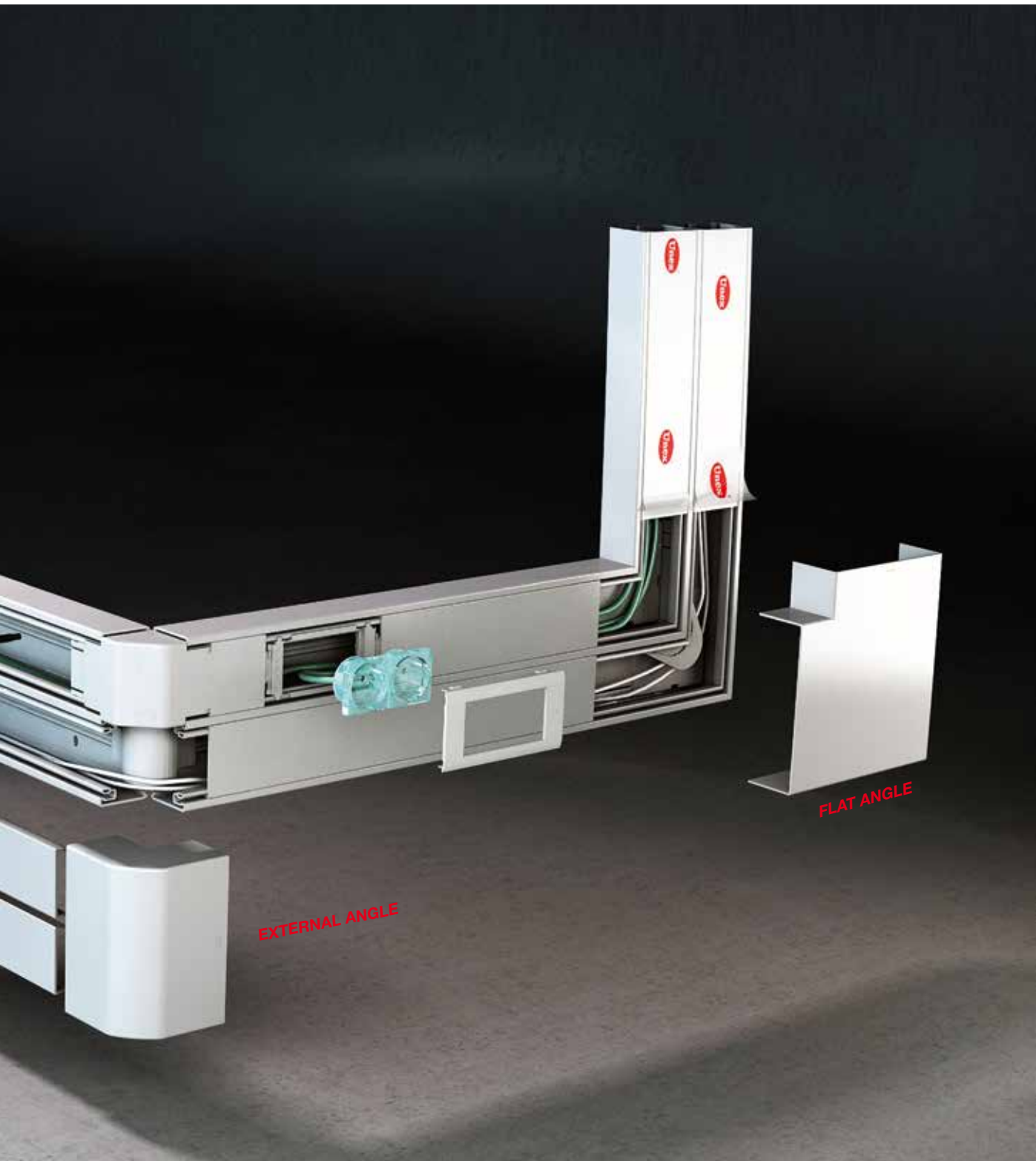
Safe and easy installation

Wiring accessories

Double-piece adapters:

- Internal piece: for a solid fixing to the base and easy measuring of the cover.
- External and embellishing pieces: hide the cover cut marks.
- The outlets are strongly fixed to the trunking in compliance with EN 50085-1.
- Protection against solid foreign objects IP4X.



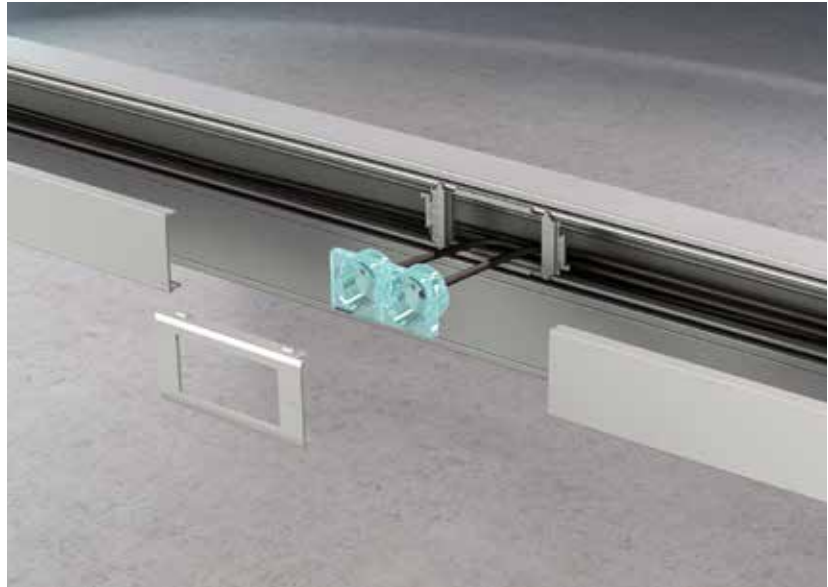


Safe installation

All items are pressure mounted.

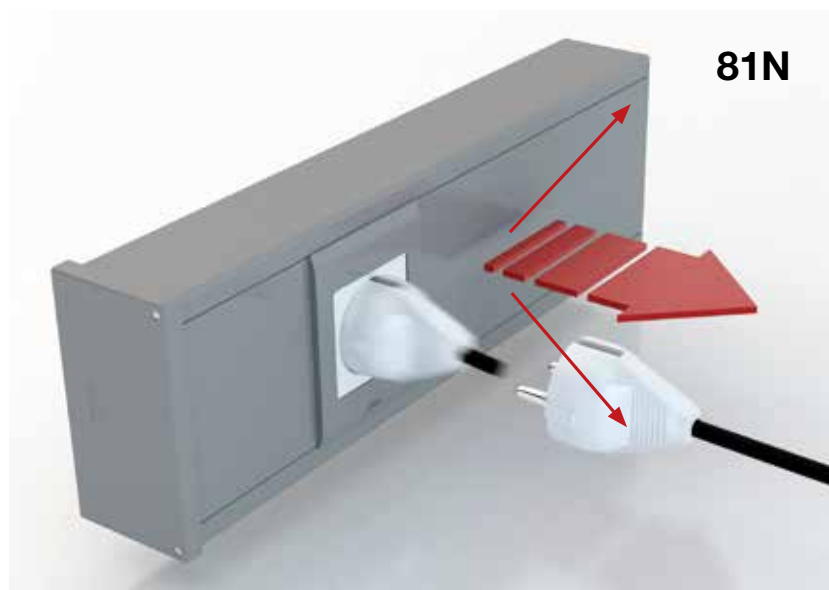
Fittings in 2 pieces:

- **The internal piece** allows easy measuring of the cover and holds the cables.
- **The external piece** covers the cut marks of base and cover and assures protection degree IP4X.
- Protection degree IP4X against solid foreign objects.



Resistance to wrenching:

The adapters for power outlets resist 81N, in compliance with EN 50085-1 and European regulations.



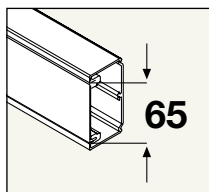
Protection of IT cables:

Data cables are protected and can keep the right bending radius.



Flexibility to combine a variety of switches and sockets

Two cover widths, suitable for every type of outlet



Covers 65 mm width



PLATES FOR DATA CONNECTORS

- Flat faceplate RJ45.
- Angled faceplate RJ45.



MODULAR

- ABB-Zenit*
- Simon* 27
- Mosaic*
- Simon Connect* K 45 (compatible with Mosaic*)
- Eunea Unica*
- BJC*, Sol



MODULAR DOUBLE

- Mosaic*.
- Simon Connect* K 45 (compatible with Mosaic*)
- Eunea Unica*



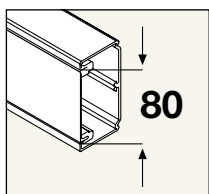
MODULAR TRIPLE

- Mosaic*.



DIN (BIPOLAR)

- MCB's (Miniature circuit breakers)
- RCD's (Residual current devices)



Covers 80 mm width



PLATES FOR DATA CONNECTORS

- Flat faceplate RJ45.
- Angled faceplate RJ45.



UNIVERSAL (CEE-7) (1)



MODULAR

- ABB-Zenit*
- Simon* 27
- Mosaic*
- Simon Connect* K 45 (compatible with Mosaic*)
- Eunea Unica*
- BJC*, Sol



MODULAR DOUBLE

- 500CIMA.
- Mosaic*.
- Simon Connect* K 45 (compatible with Mosaic*)
- Eunea Unica*



MODULAR TRIPLE

- Mosaic*.



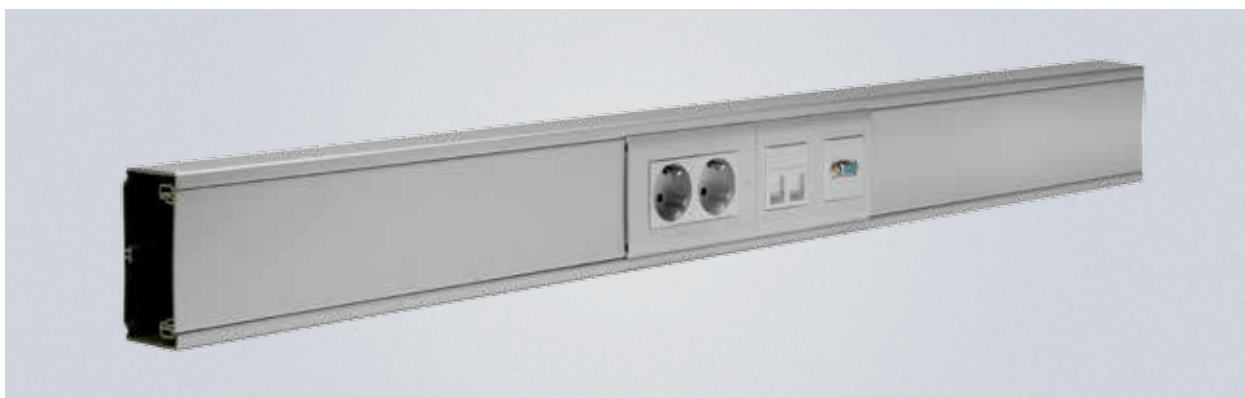
MODULAR 25 (american) (1)

- Bticino*.
- Unica-Allegro* (3 modules).
- Gewiss*.



DIN (BIPOLAR)

- MCB's (Miniature circuit breakers)
- RCD's (Residual current devices)




(1) Switches and sockets should have frames with straight corners.

Reduced stock of fittings: Same adapters for several product families: Trunking 93, Modular box 85, Service pole 50, Service post 50 and Furniture supply 51.











Trunking 93 in U23X aluminium colour

Trunking 93		Trunking sizes (mm)	50x80	50x100
Colour Aluminium RAL 9006 <input type="checkbox"/>				
Cover sizes (mm)			65	80
Maximum number of compartments			2	2
1		Trunking 2 m	93020-03	93021-03
Accessories in U23X				
2		Divider 2 m	93820	
Fittings in U23X				
3		Flat angle	93220-03	93221-03
4		External angle	93270-03	93271-03
5		Internal angle	93320-03	93321-03
6		End cover	93370-03	93371-03
7		Coupler	93520-03	93521-03
8		Straight derivation Branching to a 100 mm wide trunking.	93421-03	
9		Internal angle derivation Branching to a 100 mm wide trunking.	93471-03	
10		L Profile 2 m	U23X	93575-03
11		Floor strip 2 m	93570-2	
12		Floor strip external angle	93572-2	

50x150		70x100		70x130		70x170		70x210	
									
65	65	80		80		65	80	80	80
4		2		2		4		4	
93074-03		93031-03		93032-03		93086-03		93087-03	
93820		93830							
93224-03		93231-03		93232-03		93236-03		93237-03	
93274-03		93281-03		93282-03		93286-03		93287-03	
93324-03		93331-03		93332-03		93336-03		93337-03	
93374-03		93381-03		93382-03		93386-03		93387-03	
93524-03		93531-03		93532-03		93536-03		93537-03	
93421-03		93431-03							
93471-03									
		93575-03							
93570-2		93580-2							
93572-2		93582-2							

See next page 

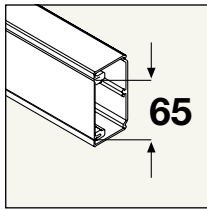
Trunking 93 in U23X aluminium colour

Trunking 93		Trunking sizes (mm)	50x80	50x100
Colour Aluminium RAL 9006 <input type="checkbox"/>				
Cover sizes (mm)			65	80
Maximum number of compartments			2	2
1		Trunking 2 m	93020-03	93021-03
Cable protection elements in U24X				
13		Corner-piece flat angle	93880	
14		Corner-piece external angle	93870	
15		Divider protective piece		
Other accessories in U23X				
16		Junction	93550	
Fixing elements in U63X				
17		Trunking plug Note: Use drill bit Ø 6 mm.	25106	
Adapters for switches and sockets in U24X				
		Adapter for switches and sockets	(See table of adapters, according to the size of the cover)	
Modular adaptation of the flexible runway in U24X (See Furniture supply 51)				
18		Modular adapter for flexible runway	51623-03	51624-03

50x150		70x100		70x130		70x170		70x210			
65	65	80		80		65	80	80	80		
4		2		2		4		4			
93074-03		93031-03		93032-03		93086-03		93087-03			
93880											
93870											
93862											
93550											
25106											
(See table of adapters, according to the size of the cover)											
51623-03		51624-03				51623-03		51624-03		51624-03	

See next page

Adapters for Trunking 93 cover 65 mm.



50x80	50x150	70x170
93020-03	93074-03	93086-03

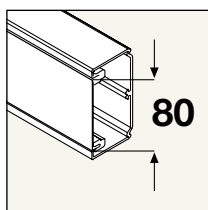
		Type of adapter					
		Simple adapter		Double adapter		Triple adapter	
Number of outlets for each adapter		1		2		3	
Mounting possibilities		1 simple adapter		2 simple adapters 1 double adapter		2 simple adapters 1 double + 1 simple adapter 1 triple adapter	
Plate RJ45		20	93751-03 ⁽¹⁾ (Flat faceplate)				
		21	93753-03 ⁽²⁾ (Angled faceplate)				
ABB-Zenit*		22	93635-03				
BJC*Sol		22	93661-03				
Simon* 27		22	93623-03				
Simon Connect* K45		22					
		23	93608-03	93613-03	93618-03		
		24					
Mosaic* and compatible		22					
		23	93608-03	93613-03	93618-03		
		24					
Eunea Unica*		22	93653-03	93656-03	93618-03		
		23					
Din (3)		26		93648-03			
Socket boxes		28					
		29	93713	93718	93728		
		30					

(1) Compatible with RJ45 Systimax solutions and universal type Keystone (AMP, Krone, Nexans, Jetlan, Belden, Brand-Rex and Openet ICS).

(2) Compatible with RJ45 Universal type Keystone (AMP, Krone, Nexans, Jetlan, Belden, Brand-Rex and Openet ICS).

(3) In electrical outlets DIN the box is necessary to fix the outlet to the trunking.

Adapters for Trunking 93 cover 80 mm.



50x100	70x100	70x130	70x170	70x210
93021-03	93031-03	93032-2	93086-2	93087-03

		Type of adapter					
		Simple adapter	Double adapter		Triple adapter		
Number of outlets for each adapter		1	2		3		
Mounting possibilities		 1 simple adapter	 2 simple adapters	 1 double adapter	 2 simple adapters	 1 double + 1 simple adapter	 1 triple adapter
Universal (1)		19 93604					
		27 93709					
Plate RJ45		20 93752-03 (2) (Flat faceplate)					
		21 93754-03 (3) (Angled faceplate)					
ABB-Zenit*		22 93636-03					
BJC*Sol		22 93662-03					
Simon* 27		22 93624-03					
500CIMA		23	93641-03				
Simon Connect* K45		22					
		23 93609-03	93614-03		93619-03		
		24					
Mosaic* and compatible		22					
		23 93609-03	93614-03		93619-03		
		24					
Eunea Unica*		22 93654-03	93657-03		93619-03		
		23					
Modular 25		25	93644-03				
Din (4)		26	93649-03				
Socket boxes		28					
		29 93714	93719 (divider part no. 93720 is included)		93729 (divider part no. 93720 is included)		
		30					


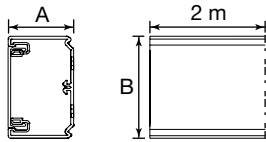

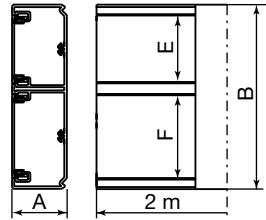

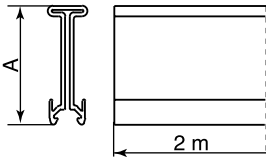
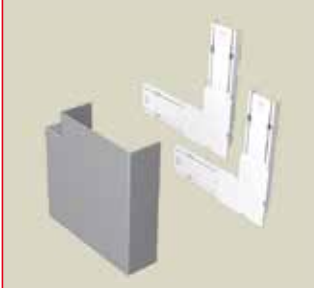
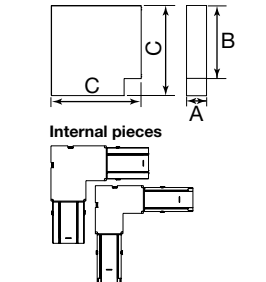
(1) Frames shall be supplied by the socket manufacturer. We recommend frames with straight corners.

(2) Compatible with RJ45 Systimax solutions and universal type Keystone (AMP, Krone, Nexans, Jetlan, Belden, Brand-Rex and Openet ICS).

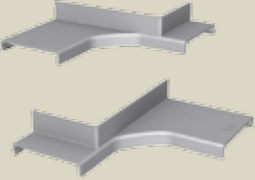
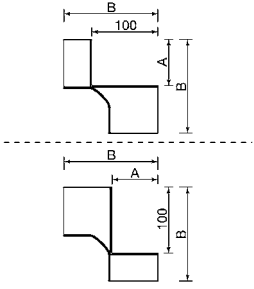

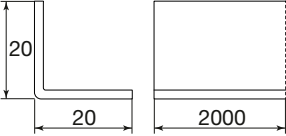

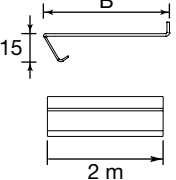

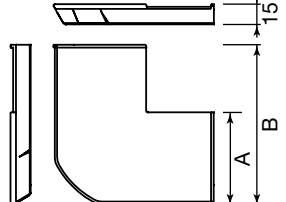
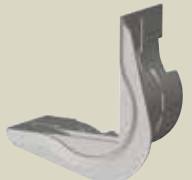
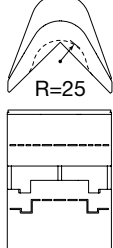
(3) Compatible with RJ45 Universal type Keystone (AMP, Krone, Nexans, Jetlan, Belden, Brand-Rex and Openet ICS).

(4) In electrical outlets DIN the box is necessary to fix the outlet to the trunking.

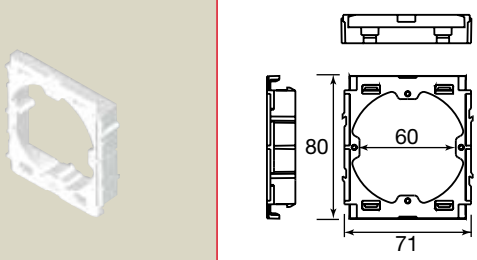
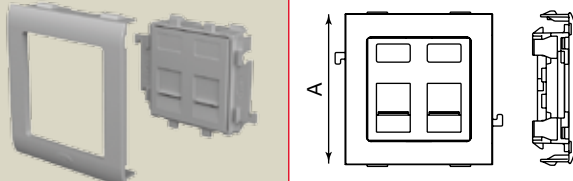
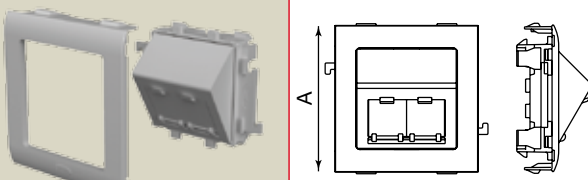
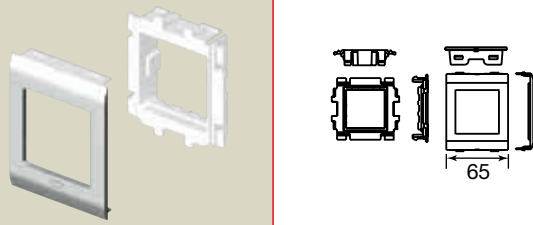
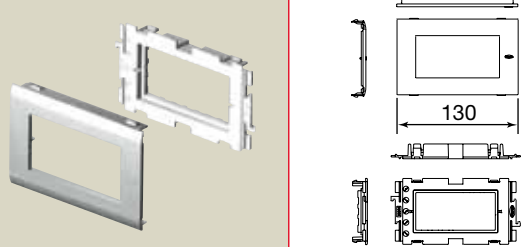
Sizes (mm)

1. One cover trunking		Part no.	Sizes mm		Pack		
			A	B	m		
		93020-03	52	80	4		
93021-03	52	100	4				
93031-03	70	100	4				
93032-03	70	130	4				
		Colour: Aluminium RAL 9006		Material: U23X			
		Note: Perforated base every 250 mm for wall fixing.					
Two covers trunking		Part no.	Sizes mm				Pack
			A	B	E	F	m
		93074-03	52	154	65	65	4
93086-03	70	170	65	80	4		
93087-03	70	210	80	80	4		
		Colour: Aluminium RAL 9006		Material: U23X			
		Note: Perforated base every 250 mm for wall fixing.					
		The fixed dividers are perforated every 125 mm, permitting cables to pass between compartments.					
2. Divider		Part no.	Sizes mm		Pack		
			A		m		
		93820	44		48		
93830	62		48				
				Material: U23X			
3. Flat angle		Part no.	Sizes mm			N° of internal pieces	Pack
			A	B	C		pc.
		93220-03	54	84	124	1	4
93221-03	54	104	144	1	4		
93224-03	54	159	198	2	2		
93231-03	72	104	144	1	4		
92232-03	72	134	174	1	4		
93236-03	72	179	198	2	2		
93237-03	72	214	222	2	2		
		Colour: Aluminium RAL 9006		Material: U24X			


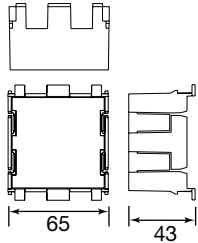
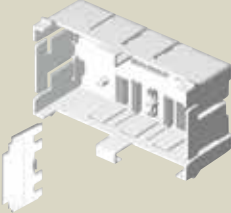
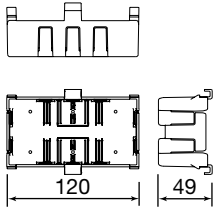
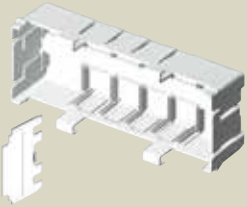
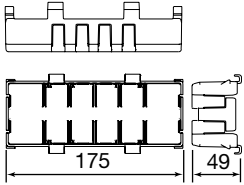
4. External angle		Part no.	Sizes mm			N° of internal pieces	Pack pc.
			A	B	C		
			93270-03	54	84		
	93271-03	54	104	102	1	4	
	93274-03	54	159	102	2	2	
	93281-03	72	104	120	1	4	
	92282-03	72	134	120	1	4	
	93286-03	72	179	120	2	2	
	93287-03	72	214	120	2	2	
		Colour: Aluminium RAL 9006			Material: U24X		
5. Internal angle		Part no.	Sizes mm			N° of internal pieces	Pack pc.
			A	B	C		
			93320-03	54	84		
	93321-03	54	104	125	1	4	
	93324-03	54	159	125	2	2	
	93331-03	72	104	143	1	4	
	92332-03	72	134	143	1	4	
	93336-03	72	179	143	2	2	
	93337-03	72	214	143	2	2	
		Colour: Aluminium RAL 9006			Material: U24X		
6. End cover		Part no.	Sizes mm			Pack pc.	
			A	B	C		
			93370-03	54	84		
	93371-03	54	104	15	6		
	93374-03	54	159	20	6		
	93381-03	72	104	15	6		
	93382-03	72	134	15	6		
	93386-03	72	179	20	6		
	93387-03	72	214	20	6		
		Colour: Aluminium RAL 9006			Material: U24X		
		Note: 2 screws are included.					
7. Coupler		Part no.	Sizes mm			N° of internal pieces	Pack pc.
			A	B	C		
			93520-03	54	84		
	93521-03	54	104	30	1	12	
	93524-03	54	159	30	2	12	
	93531-03	72	104	30	1	12	
	92532-03	72	134	30	1	12	
	93536-03	72	179	35	2	12	
	93537-03	72	214	40	2	12	
		Colour: Aluminium RAL 9006			Material: U24X		
8. Straight derivation		Part no.	Sizes mm			Pack pc.	
			A				
			93421-03	54			
	93431-03	72			12		
		Colour: Aluminium RAL 9006			Material: U24X		
		Note: Branching to a 100 mm wide trunking.					

9. Internal angle derivation		Part no.	Sizes mm		Pack	
			A	B	pc.	
		93471-03	54	125	12	
		Colour: Aluminium RAL 9006		Material: U24X		
		Note: Branching to a 100 mm wide trunking.				
10. L Profile		Part no.			Pack	
					m	
		93575-03			16	
		Colour: Aluminium RAL 9006		Material: U23X		
11. Floor strip		Part no.	Sizes mm		Pack	
			B		m	
		93570-2	52			48
		93580-2	70			48
		Colour: White RAL 9010		Material: U23X		
12. Floor strip external angle		Part no.	Sizes mm		Pack	
			A	B	pc.	
		93572-2	52	100	6	
		93582-2	70	118	6	
		Colour: White RAL 9010		Material: U24X		
13. Corner-piece flat angle		Part no.			Pack	
					pc.	
		93880			6	
		Material: U24X				

14. Corner-piece external angle		Part no.	Pack		
			pc.		
		93870		6	
		Material: U24X			
15. Divider protective piece		Part no.	Application Trunking	Pack	
				pc.	
		93862	93074-03	24	
		Material: U24X			
16. Junction		Part no.	Pack		
			pc.		
		93550		24	
		Material: U23X			
17. Trunking plug		Part no.	Sizes mm A	Diameter plug mm	Pack
					pc.
		25106	35	6	1.000
		Colour: Black Material: U63X Note: Use drill bit Ø 6 mm. ⚠ Indoor use.			
18. Modular adapter for flexible runway		Part no.	Application cover	Pack	
				pc.	
		51623-03	65	12	
		51624-03	80	12	
Material: U24X					

19. Universal (CEE) adapter 1 outlet			<table border="1"> <thead> <tr> <th>Part no.</th> <th>Application cover</th> <th>Pack pc.</th> </tr> </thead> <tbody> <tr> <td>93604</td> <td>80</td> <td>12</td> </tr> </tbody> </table> <p style="text-align: right;">Material: U24X</p> <p>Note: 2 screws are included.</p>	Part no.	Application cover	Pack pc.	93604	80	12																																						
Part no.	Application cover	Pack pc.																																													
93604	80	12																																													
20. Flat faceplate RJ45			<table border="1"> <thead> <tr> <th>Part no.</th> <th>Application cover</th> <th>Pack pc.</th> </tr> </thead> <tbody> <tr> <td>93751-03</td> <td>65</td> <td>6</td> </tr> <tr> <td>93752-03</td> <td>80</td> <td>6</td> </tr> </tbody> </table> <p style="text-align: right;">Material: U24X</p> <p>Colour: Aluminium RAL 9006</p> <p>Note: Compatible with RJ45 Systimax solutions and universal type Keystone (AMP, Krone, Nexans, Jetlan, Belden, Brand-Rex and Openet-ICS).</p>	Part no.	Application cover	Pack pc.	93751-03	65	6	93752-03	80	6																																			
Part no.	Application cover	Pack pc.																																													
93751-03	65	6																																													
93752-03	80	6																																													
21. Angled faceplate RJ45			<table border="1"> <thead> <tr> <th>Part no.</th> <th>Application cover</th> <th>Pack pc.</th> </tr> </thead> <tbody> <tr> <td>93753-03</td> <td>65</td> <td>6</td> </tr> <tr> <td>93754-03</td> <td>80</td> <td>6</td> </tr> </tbody> </table> <p style="text-align: right;">Material: U24X</p> <p>Colour: Aluminium RAL 9006</p> <p>Note: Compatible with RJ45 universal type Keystone (AMP, Krone, Nexans, Jetlan, Belden, Brand-Rex and Openet-ICS).</p>	Part no.	Application cover	Pack pc.	93753-03	65	6	93754-03	80	6																																			
Part no.	Application cover	Pack pc.																																													
93753-03	65	6																																													
93754-03	80	6																																													
22. Adapter for modular outlets			<table border="1"> <thead> <tr> <th>Part no.</th> <th>Outlets trademarks</th> <th>Application cover</th> <th>Pack pc.</th> </tr> </thead> <tbody> <tr> <td>93623-03</td> <td>Simon*27 (1)</td> <td>65</td> <td>12</td> </tr> <tr> <td>93624-03</td> <td>Simon*27 (1)</td> <td>80</td> <td>12</td> </tr> <tr> <td>93635-03</td> <td>ABB-Zenit* (2)</td> <td>65</td> <td>12</td> </tr> <tr> <td>93636-03</td> <td>ABB-Zenit* (2)</td> <td>80</td> <td>12</td> </tr> <tr> <td>93661-03</td> <td>BJC* Sol (3)</td> <td>65</td> <td>12</td> </tr> <tr> <td>93662-03</td> <td>BJC* Sol (3)</td> <td>80</td> <td>12</td> </tr> <tr> <td>93653-03</td> <td>Eunea-Unica* (1)</td> <td>65</td> <td>12</td> </tr> <tr> <td>93654-03</td> <td>Eunea-Unica* (1)</td> <td>80</td> <td>12</td> </tr> <tr> <td>93608-03</td> <td>Mosaic* (1) (4)</td> <td>65</td> <td>12</td> </tr> <tr> <td>93609-03</td> <td>Mosaic* (1) (4)</td> <td>80</td> <td>12</td> </tr> </tbody> </table> <p style="text-align: right;">Material: U24X</p> <p>Colour: Aluminium RAL 9006</p> <p>Note: (1) Module 22,5x45 (2) Module 22x44 (3) Module 23x46 (4) Compatible with Simon Connect* K 45 and data connectors compatibles with Mosaic*.</p>	Part no.	Outlets trademarks	Application cover	Pack pc.	93623-03	Simon*27 (1)	65	12	93624-03	Simon*27 (1)	80	12	93635-03	ABB-Zenit* (2)	65	12	93636-03	ABB-Zenit* (2)	80	12	93661-03	BJC* Sol (3)	65	12	93662-03	BJC* Sol (3)	80	12	93653-03	Eunea-Unica* (1)	65	12	93654-03	Eunea-Unica* (1)	80	12	93608-03	Mosaic* (1) (4)	65	12	93609-03	Mosaic* (1) (4)	80	12
Part no.	Outlets trademarks	Application cover	Pack pc.																																												
93623-03	Simon*27 (1)	65	12																																												
93624-03	Simon*27 (1)	80	12																																												
93635-03	ABB-Zenit* (2)	65	12																																												
93636-03	ABB-Zenit* (2)	80	12																																												
93661-03	BJC* Sol (3)	65	12																																												
93662-03	BJC* Sol (3)	80	12																																												
93653-03	Eunea-Unica* (1)	65	12																																												
93654-03	Eunea-Unica* (1)	80	12																																												
93608-03	Mosaic* (1) (4)	65	12																																												
93609-03	Mosaic* (1) (4)	80	12																																												
23. Adapter for 2 outlets (4 modules 22,5x45)			<table border="1"> <thead> <tr> <th>Part no.</th> <th>Outlets trademarks</th> <th>Application cover</th> <th>Pack pc.</th> </tr> </thead> <tbody> <tr> <td>93656-03</td> <td>Eunea-Unica*</td> <td>65</td> <td>12</td> </tr> <tr> <td>93657-03</td> <td>Eunea-Unica*</td> <td>80</td> <td>12</td> </tr> <tr> <td>93613-03</td> <td>Mosaic* (1)</td> <td>65</td> <td>12</td> </tr> <tr> <td>93614-03</td> <td>Mosaic* (1)</td> <td>80</td> <td>12</td> </tr> </tbody> </table> <p style="text-align: right;">Material: U24X</p> <p>Colour: Aluminium RAL 9006</p> <p>Note: (1) Compatible with Simon Connect* K 45 and data connectors compatible with Mosaic*.</p>	Part no.	Outlets trademarks	Application cover	Pack pc.	93656-03	Eunea-Unica*	65	12	93657-03	Eunea-Unica*	80	12	93613-03	Mosaic* (1)	65	12	93614-03	Mosaic* (1)	80	12																								
Part no.	Outlets trademarks	Application cover	Pack pc.																																												
93656-03	Eunea-Unica*	65	12																																												
93657-03	Eunea-Unica*	80	12																																												
93613-03	Mosaic* (1)	65	12																																												
93614-03	Mosaic* (1)	80	12																																												

23. Adapter for 500CIMA (2 modules)		Part no.	Application cover	Pack	
		93641-03	80	12	
		Colour: Aluminium RAL 9006		Material: U24X	
24. Adapter for 3 outlets (6 modules 22,5x45)		Part no.	Outlets trademarks	Application cover	Pack
		93618-03	Mosaic*	65	12
		93619-03	Mosaic* (1)	80	12
Colour: Aluminium RAL 9006		Material: U24X		Note: (1) Compatible with Simon Connect* K 45 and data connectors compatible with Mosaic*.	
25. Adapter for Modular 25 (3 modules)		Part no.	Application cover	Application box	Pack
		93644-03	80	93719	12
		Colour: Aluminium RAL 9006		Material: U24X	
Note: 2 screws are included.					
26. Adapter DIN (1 a 2 modules)		Part no.	Application cover	Application box	Pack
		93648-03	65	93718	4
		93649-03	80	93719	4
Colour: Aluminium RAL 9006		Material: U24X		Note: 1 rail DIN fixing included. In RAIL DIN outlets, the box is necessary in order to fix the outlet to trunkings of height 70 mm.	
27. Universal (CEE) socket box 1 outlet		Part no.	Application cover	Pack	
		93709	80	12	
		Material: U24X		Note: 2 pre-mounted screws are included.	

28. Modular socket box		Part no.	Application cover	Pack
				pc.
		93713	65	12
		93714	80	12
		Material: U24X		
		Note: The box is only necessary for circuit separation, not for fixing data connectors.		
29. 120 mm box		Part no.	Application cover	Pack
				pc.
		93718	65	12
		93719	80	12
		Material: U24X		
		Note: The box is only necessary for circuit separation, not for fixing data connectors. In box part no. 93719, a divider part no. 93720 is included. This divider can also be purchased separately.		
30. 175 mm box		Part no.	Application cover	Pack
				pc.
		93728	65	12
		93729	80	12
		Material: U24X		
		Note: The box is only necessary for circuit separation, not for fixing data connectors. In box part no. 93729, a divider part no. 93720 is included. This divider can also be purchased separately.		

Useful cross-sections (mm²)

Sizes (mm)	50x80	50x100	50x150	70x100	70x130	70x170	70x210
Part numbers U23X Colour Aluminium	93020-03	93021-03	93074-03	93031-03	93032-03	93086-03	93087-03
Mounting of switches and socket outlets							
Universal outlets without box							
Modular outlets without box							
Universal outlets with box							
Modular/DIN outlets with box							
Distribution							
Without divider							
With divider							
With divider and corner-piece							

COPYRIGHT: All trademarks, brands or distinctive signs, of any kind, that might appear in the present website are the property of Unex aparellaje eléctrico, S.L. or of third parties. The use or access to the present website and/or to its services should not be interpreted, under no circumstances, as conferring any rights to the User on the mentioned trademarks, brands or distinctive signs.

Furthermore, all Contents are the property of Unex aparellaje eléctrico, S.L. or of third parties. As stated in the mentioned Legal Notice, none of the operation rights existing or that might exist about the mentioned Contents should be understood as transferable to the User, beyond those strictly necessary for the correct use of the Portal and the Services.