

# Trunking **93** in aluminium

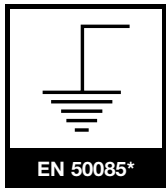
# Trunking **93** in aluminium

To mount switches and sockets in environments requiring neat finishing

- **Free choice of switches and sockets.**
- Possibility to attach or **flush-mount** in walls and furniture.
- Fixed division with independent covers and possible sub-divisions.

## Safety

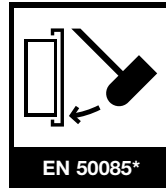
### Electrical:



EN 50085\*

- Non insulating material
- Through insulating connection boxes and fixing elements, to earth base and cover

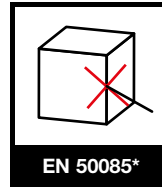
### Mechanical:



EN 50085\*

- **IK07** type 3 (distribution and mounting of switches and sockets)

### Protection degree:



EN 50085\*

- **IP4X**, mounted on the wall

## Conformity declaration



\* BS EN 50085-2-1 is the UK implementation of EN 50085-2-1

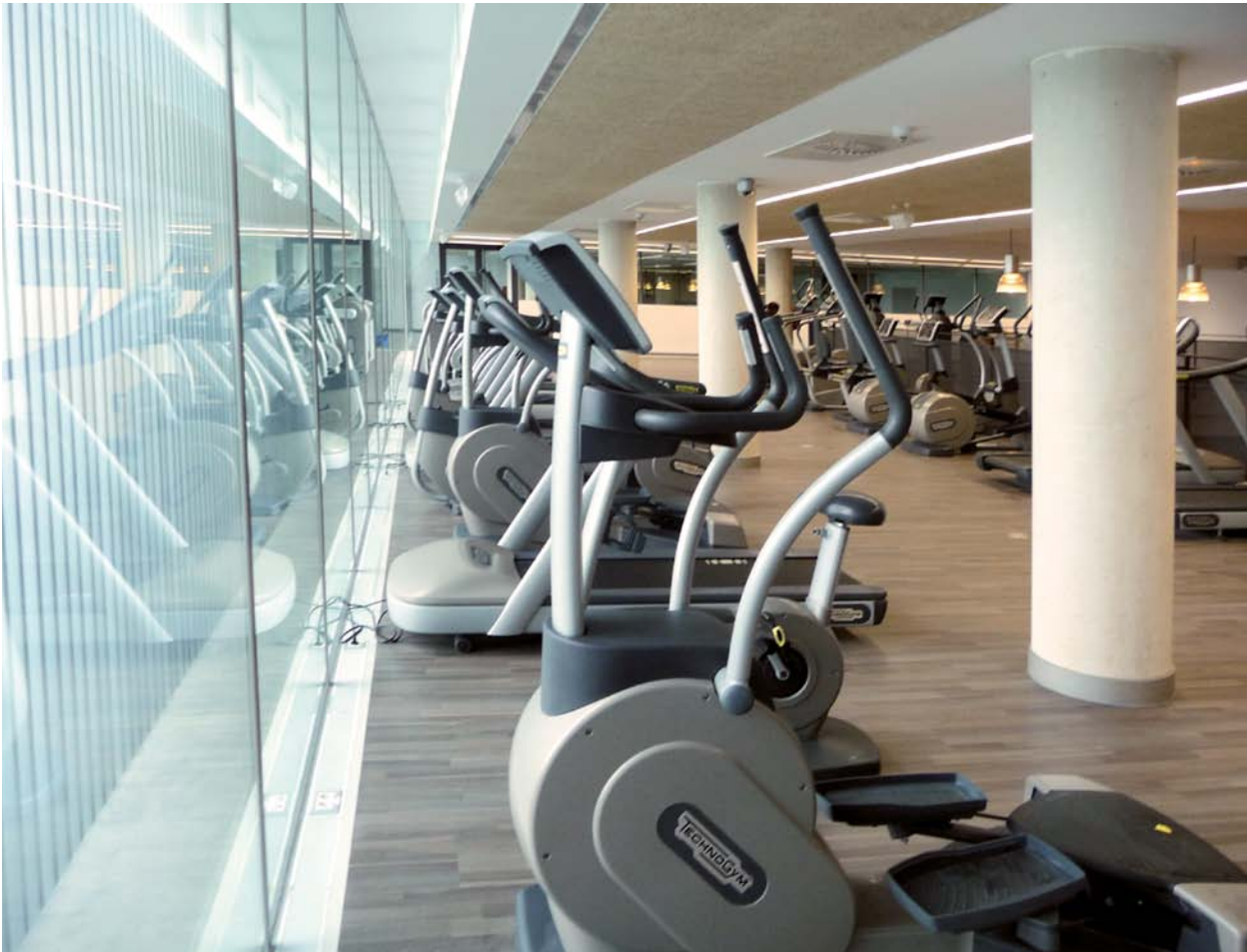
## Trunking 93 ►

Length: 2 m

■ Anodized Grey RAL 9006

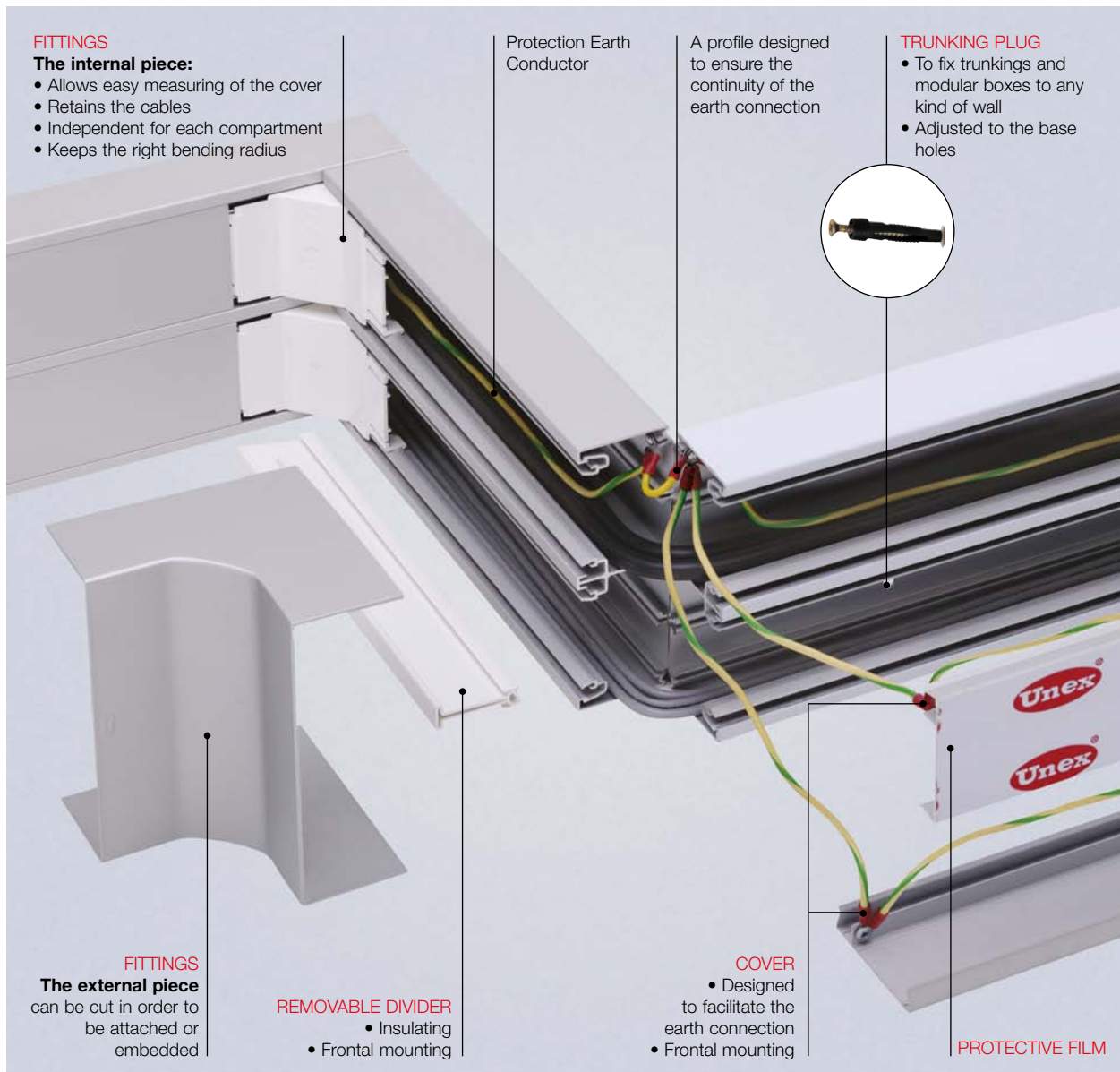
See updated information of each part number on [www.unex.net](http://www.unex.net)





# Easy installation

## Trunking and fittings



### CORNER-PIECES:

External angle

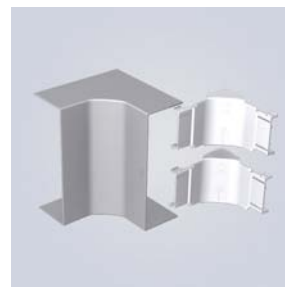


Flat angle

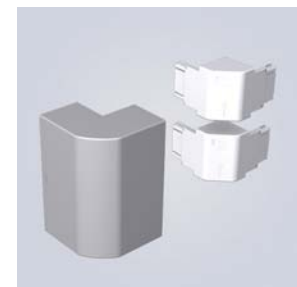


### FITTINGS IN 2 PIECES:

Internal angle



External angle



### Protection of data cables

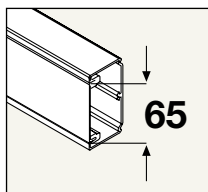
Allows you to keep the right bending radius.

**Internal pieces** allow easy measuring of the cover.

**External pieces** hide the cut marks of base and cover. Frontal mounting of the cover.

# Flexibility to combine a variety of switches and sockets

Two cover widths, suitable for every type of outlet



Covers 65 mm width



**PLATES FOR DATA CONNECTORS**

- Flat faceplate RJ45.
- Angled faceplate RJ45.



**MODULAR**

- ABB-Zenit\*
- Simon\* 27
- Mosaic\*
- Simon Connect\* K 45 (compatible with Mosaic\*)
- Eunea Unica\*
- BJC\*, Sol



**MODULAR DOUBLE**

- Mosaic\*.
- Simon Connect\* K 45 (compatible with Mosaic\*)
- Eunea Unica\*



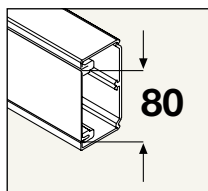
**MODULAR TRIPLE**

- Mosaic\*.



**DIN (BIPOLAR)**

- MCB's (Miniature circuit breakers)
- RCD's (Residual current devices)



Covers 80 mm width



**PLATES FOR DATA CONNECTORS**

- Flat faceplate RJ45.
- Angled faceplate RJ45.



**UNIVERSAL (CEE-7) (1)**



**MODULAR**

- ABB-Zenit\*
- Simon\* 27
- Mosaic\*
- Simon Connect\* K 45 (compatible with Mosaic\*)
- Eunea Unica\*
- BJC\*, Sol



**MODULAR DOUBLE**

- 500CIMA.
- Mosaic\*.
- Simon Connect\* K 45 (compatible with Mosaic\*)
- Eunea Unica\*



**MODULAR TRIPLE**

- Mosaic\*.



**MODULAR 25 (american) (1)**

- Bticino\*.
- Unica-Allegro\* (3 modules).
- Gewiss\*.



**DIN (BIPOLAR)**

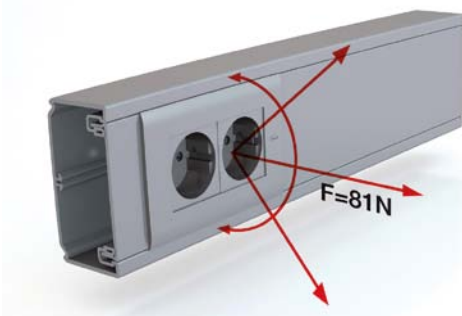
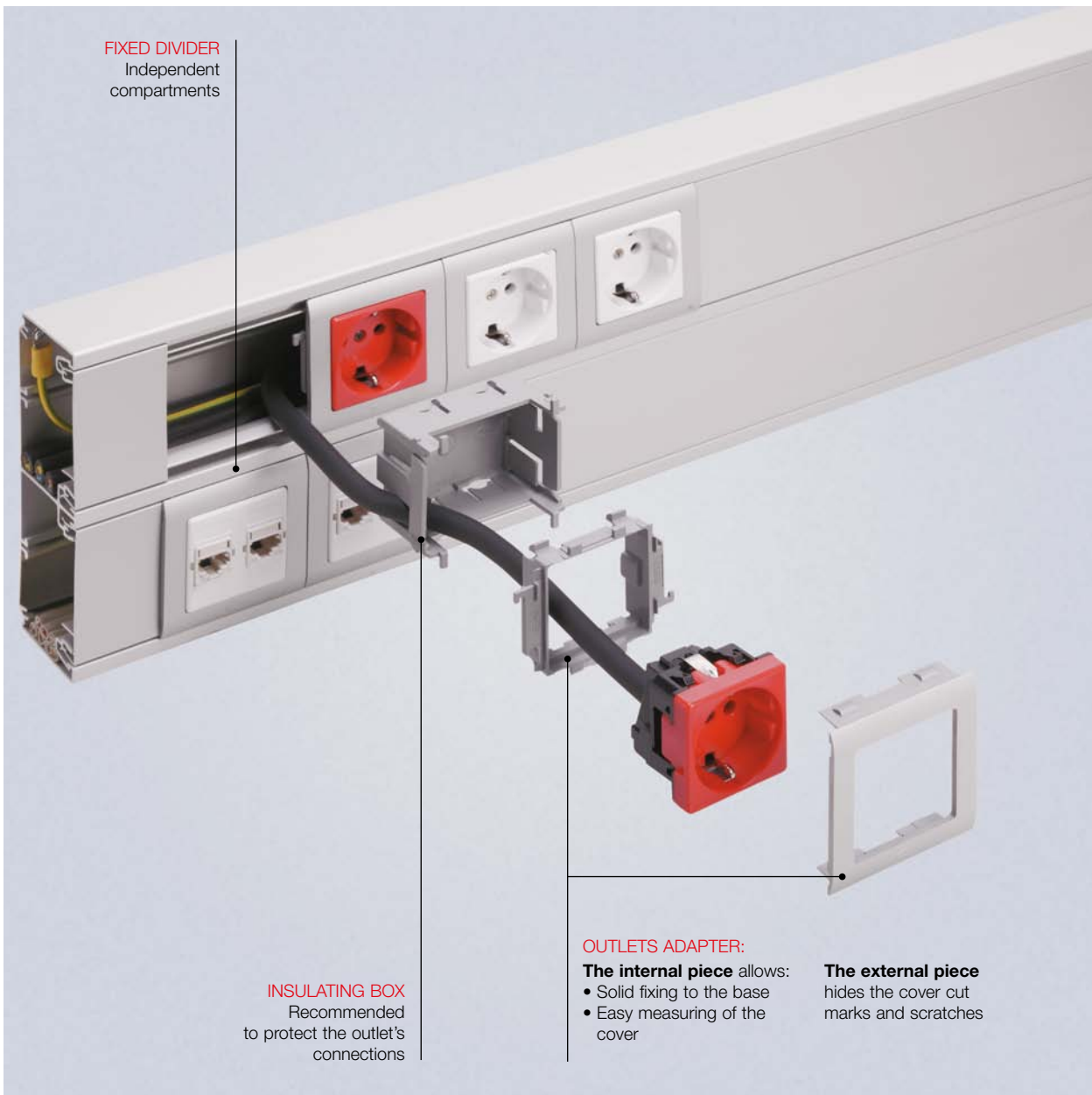
- MCB's (Miniature circuit breakers)
- RCD's (Residual current devices)

**Reduced stock of fittings:** Same adapters for several product families: Trunking 93, Modular box 85, Service pole 50, Service post 50 and Furniture supply 51.

(1) Switches and sockets should have frames with straight corners.

# Easy installation

## Wiring accessories



## Maximum electrical safety

- The system has clamps to facilitate the earthing of base and cover.
- Insulating socket boxes for connections.
- Our priorities are safety and compliance with regulations.
- Unex switches and sockets assure a minimum pulling resistance of **81N** and comply with the demands of European Standard EN 50085-1 as well as each country standard for switches and sockets.

# Trunking 93 in aluminium

Trunking <b>93</b> in aluminium		Trunking sizes (mm)	50x80	50x100	50x150	50x170
Colour anodized grey RAL 9006 <input type="checkbox"/> (Part no. 93xxx-33 and 93xxx-03)						
<b>Cover sizes (mm)</b>			65	80	65   65	65   80
<b>Maximum number of compartments</b>			2	2	4	4
1	Trunking 2 m		93020-33	93021-33	93074-33	93076-33
<b>Accessories in U23X</b>						
2	Divider 2 m		93820			
<b>Fittings in U23X and U24X</b>						
3	Flat angle		93220-03	93221-03	93224-03	93226-03
4	External angle		93270-03	93271-03	93274-03	93276-03
5	Internal angle		93320-03	93321-03	93324-03	93326-03
6	End cover		93370-03	93371-03	93374-03	93376-03
7	Coupler		93520-03	93521-03	93524-03	93526-03
8	<b>Straight derivation</b> Branching to a 100 mm wide trunking.		93421-03			
9	<b>Internal angle derivation</b> Branching to a 100 mm wide trunking.		93471-03			
10	<b>L Profile</b> 2 m <b>U23X</b>		93575-03			
11	<b>Floor strip</b> 2 m		93570-2			
12	<b>Floor strip external angle</b>		93572-2			

See next page

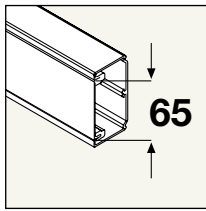


# Trunking 93 in aluminium

Trunking <b>93</b> in aluminium		Trunking sizes (mm)		50x80	50x100	50x150	50x170
Colour anodized grey RAL 9006 <input type="checkbox"/> (Part no. 93xxx-33 and 93xxx-03)							
<b>Cover sizes (mm)</b>		65	80	65	65	65	80
<b>Maximum number of compartments</b>		2	2	4		4	
1	 Trunking 2 m	93020-33	93021-33	93074-33	93076-33		
<b>Cable protection elements in U24X</b>							
13	 Corner-piece flat angle				93880		
14	 Corner-piece external angle				93870		
<b>Other accessories in U23X</b>							
15	 Junction				93550		
<b>Fixing elements en U63X</b>							
16	 Trunking plug Note: Use drill bit Ø 6 mm.				25106		
<b>Adapters for switches and sockets in U24X</b>							
	 Adapter for switches and sockets	(See table of adapters, according to the size of the cover)					
<b>Modular adaptation of flexible runway in U24X</b> (See Furniture supply 51)							
17	 Modular adapter for flexible runway	51623-03	51624-03	51623-03	51623-03	51624-03	

See next page

# Adapters for Trunking 93 cover 65 mm.



50x80	50x150	50x170
93020-33	93074-33	93076-33

⊘ Not suitable for 80 mm covers.

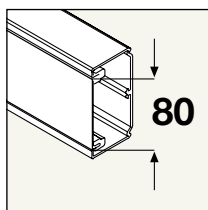
		Type of adapter					
		Simple adapter		Double adapter		Triple adapter	
Number of outlets for each adapter		1		2		3	
Mounting possibilities		1 simple adapter		2 simple adapters 1 double adapter		2 simple adapters 1 double + 1 simple adapter 1 triple adapter	
<b>Plate RJ45</b>		19	<b>93751-03</b> (1) (Flat faceplate)				
		20	<b>93753-03</b> (2) (Angled faceplate)				
<b>ABB-Zenit*</b>		21	<b>93635-03</b>				
<b>BJC*Sol</b>		21	<b>93661-03</b>				
<b>Simon* 27</b>		21	<b>93623-03</b>				
<b>Simon Connect* K45</b>		21					
		22	<b>93608-03</b>	<b>93613-03</b>	<b>93618-03</b>		
		23					
<b>Mosaic* and compatible</b>		21					
		22	<b>93608-03</b>	<b>93613-03</b>	<b>93618-03</b>		
		23					
<b>Eunea Unica*</b>		21	<b>93653-03</b>	<b>93656-03</b>	<b>93618-03</b>		
		22					
<b>Din (3)</b>		25		<b>93648-03</b>			
<b>Socket boxes</b>		27					
		28	<b>93713</b>	<b>93718</b>	<b>93728</b>		
		29					

(1) Compatible with RJ45 Systimax solutions and universal type Keystone (AMP, Krone, Nexans, Jetlan, Belden, Brand-Rex and Openet ICS).

(2) Compatible with RJ45 Universal type Keystone (AMP, Krone, Nexans, Jetlan, Belden, Brand-Rex and Openet ICS).

(3) In electrical outlets DIN the box is necessary to fix the outlet to the trunking.

# Adapters for Trunking 93 cover 80 mm.



50x100	50x170
<b>93021-33</b>	<b>93076-33</b>

⊘ Not suitable for 65 mm covers.

		Type of adapter					
		Simple adapter	Double adapter		Triple adapter		
Number of outlets for each adapter		1	2		3		
Mounting possibilities		 1 simple adapter	 2 simple adapters	 1 double adapter	 2 simple adapters	 1 double + 1 simple adapter	 1 triple adapter
<b>Universal</b> (1) (5)		18 <b>93604</b>					
		26 <b>93709</b>					
<b>Plate RJ45</b>		19 <b>93752-03</b> (2) (Flat faceplate)					
		20 <b>93754-03</b> (3) (Angled faceplate)					
<b>ABB-Zenit*</b>		21 <b>93636-03</b>					
<b>BJC*Sol</b>		21 <b>93662-03</b>					
<b>Simon* 27</b>		21 <b>93624-03</b>					
<b>500CIMA</b>		22	<b>93641-03</b>				
<b>Simon Connect* K45</b>		21					
		22 <b>93609-03</b>	<b>93614-03</b>		<b>93619-03</b>		
		23					
<b>Mosaic* and compatible</b>		21 <b>93609-03</b>	<b>93614-03</b>		<b>93619-03</b>		
		22					
		23					
<b>Eunea Unica*</b>		21 <b>93654-03</b>	<b>93657-03</b>		<b>93619-03</b>		
		22					
<b>Modular 25</b>		24	<b>93644-03</b>				
<b>Din</b> (4)		25	<b>93649-03</b>				
<b>Socket boxes</b>		27					
		28 <b>93714</b>	<b>93719</b> (divider part no. 93720 is included)		<b>93729</b> (divider part no. 93720 is included)		
		29					

(1) Frames shall be supplied by the socket manufacturer. We recommend frames with straight corners.


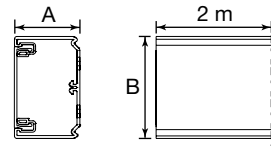

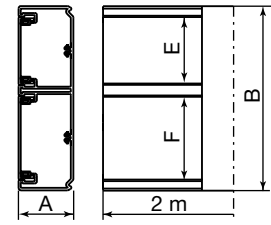
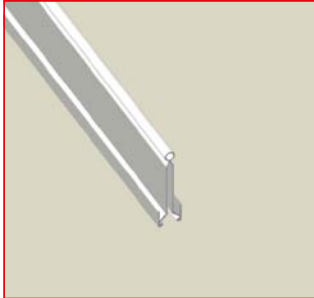
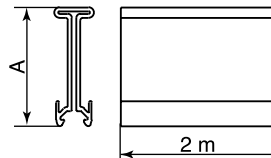
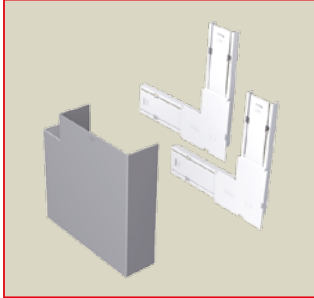
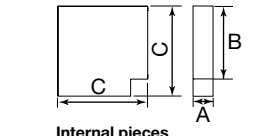
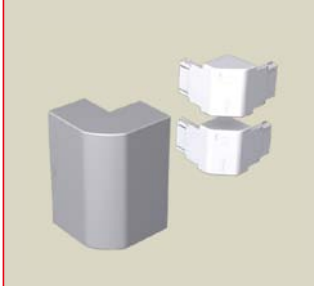
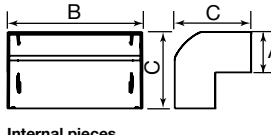
(2) Compatible with RJ45 Systemax solutions and universal type Keystone (AMP, Krone, Nexans, Jetlan, Belden, Brand-Rex and Openet ICS).

(3) Compatible with RJ45 Universal type Keystone (AMP, Krone, Nexans, Jetlan, Belden, Brand-Rex and Openet ICS).

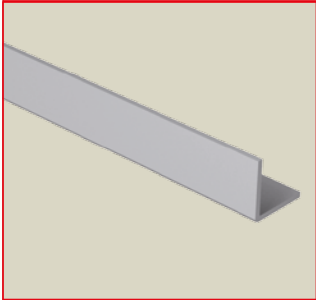
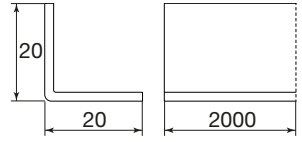

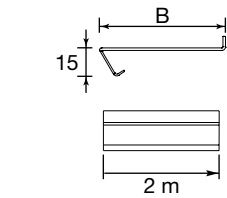

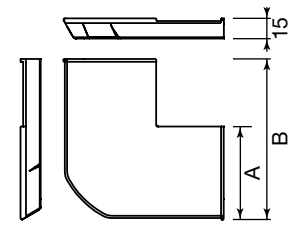
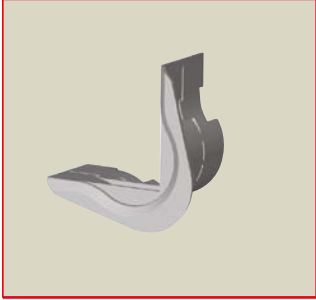
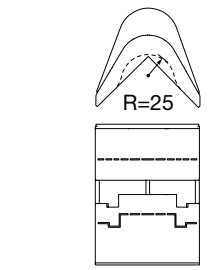
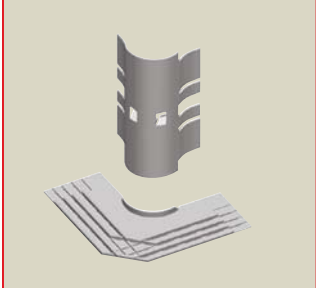
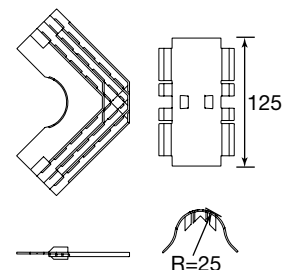
(4) In electrical outlets DIN the box is necessary to fix the outlet to the trunking.


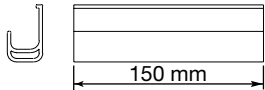

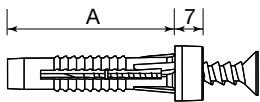


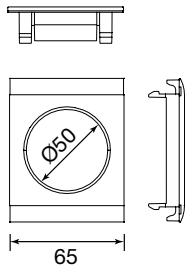

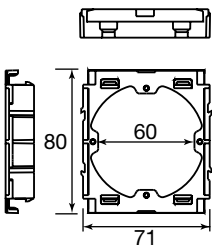
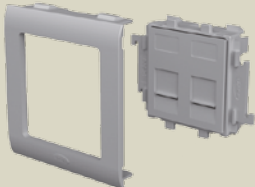
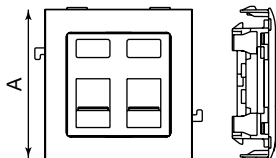
(5) If circuit separation is required, the box part no. 93604 must be replaced by part no. 93709.

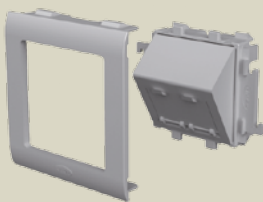
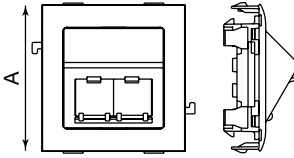
# Sizes (mm)

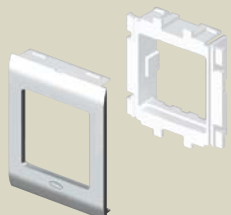
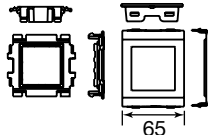
1. One cover trunking		Part no.	Sizes mm		Pack		
			A	B	m		
		93020-33	52	80	4		
		93021-33	52	100	4		
		<b>Colour: Anodized Grey RAL 9006</b>		<b>Material: Aluminium</b>			
Note: Perforated base every 250 mm for wall fixing.							
Two covers trunking		Part no.	Sizes mm				Pack
			A	B	E	F	m
		93074-33	52	154	65	65	4
		93076-33	52	175	65	80	4
		<b>Colour: Anodized Grey RAL 9006</b>		<b>Material: Aluminium</b>			
Note: Perforated base every 250 mm for wall fixing. The fixed dividers are perforated every 125 mm, permitting cables to pass between compartments.							
2. Divider		Part no.	Sizes mm		Pack		
			A		m		
		93820	44		48		
				<b>Material: U23X</b>			
3. Flat angle		Part no.	Sizes mm			N° of internal pieces	Pack
			A	B	C	pieces	pc.
		93220-03	54	84	124	1	4
		93221-03	54	104	144	1	4
		93224-03	54	159	198	2	2
		93226-03	54	179	219	2	2
		<b>Colour: Aluminium RAL 9006</b>		<b>Material: U24X</b>			
4. External angle		Part no.	Sizes mm			N° of internal pieces	Pack
			A	B	C	pieces	pc.
		93270-03	54	84	102	1	4
		93271-03	54	104	102	1	4
		93274-03	54	159	102	2	2
		93276-03	54	179	102	2	2
		<b>Colour: Aluminium RAL 9006</b>		<b>Material: U24X</b>			

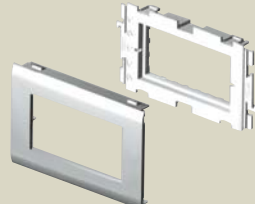
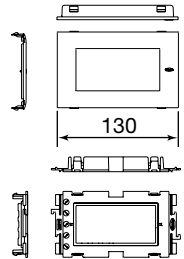
5. Internal angle		Part no.	Sizes mm			N° of internal pieces	Pack pc.	
			A	B	C			
			93320-03	54	84	125	1	4
			93321-03	54	104	125	1	4
			93324-03	54	159	125	2	2
			93326-03	54	179	125	2	2
		Colour: Aluminium RAL 9006	Material: U24X					
6. End cover		Part no.	Sizes mm			Pack pc.		
			A	B	C			
			93370-03	54	84	15		6
			93371-03	54	104	15		6
			93374-03	54	159	20		6
			93376-03	54	179	20		6
		Colour: Aluminium RAL 9006	Material: U24X					
		Note: 2 screws are included.						
7. Coupler		Part no.	Sizes mm			N° of internal pieces	Pack pc.	
			A	B	C			
			93520-03	54	84	30	1	12
			93521-03	54	104	30	1	12
			93524-03	54	159	30	2	12
			93526-03	54	179	35	2	12
		Colour: Aluminium RAL 9006	Material: U24X					
8. Straight derivation		Part no.	Sizes mm			Pack pc.		
			A					
			93421-03	54				12
		Colour: Aluminium RAL 9006	Material: U24X					
		Note: Branching to a 100 mm wide trunking.						
9. Internal angle derivation		Part no.	Sizes mm			Pack pc.		
			A	B				
			93471-03	54	125			12
		Colour: Aluminium RAL 9006	Material: U24X					
		Note: Branching to a 100 mm wide trunking.						

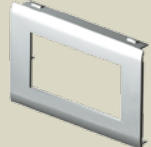
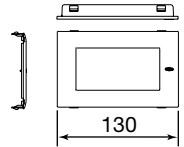
<b>10. L Profile</b>		<b>Part no.</b>	<b>Pack</b>		
			<b>m</b>		
		<b>93575-03</b>	<b>16</b>		
<b>Colour: Aluminium RAL 9006</b>		<b>Material: U23X</b>			
<b>11. Floor strip</b>		<b>Part no.</b>	<b>Sizes mm</b>	<b>Pack</b>	
			<b>B</b>	<b>m</b>	
		<b>93570-2</b>	<b>52</b>	<b>48</b>	
<b>Colour: White RAL 9010</b>		<b>Material: U23X</b>			
<b>12. Floor strip external angle</b>		<b>Part no.</b>	<b>Sizes mm</b>	<b>Pack</b>	
			<b>A</b>	<b>B</b>	<b>pc.</b>
		<b>93572-2</b>	<b>52</b>	<b>100</b>	<b>6</b>
<b>Colour: White RAL 9010</b>		<b>Material: U24X</b>			
<b>13. Corner-piece flat angle</b>		<b>Part no.</b>	<b>Pack</b>		
			<b>pc.</b>		
		<b>93880</b>	<b>6</b>		
<b>Material: U24X</b>					
<b>14. Corner-piece external angle</b>		<b>Part no.</b>	<b>Pack</b>		
			<b>pc.</b>		
		<b>93870</b>	<b>6</b>		
<b>Material: U24X</b>					

<b>15. Junction</b>		<b>Part no.</b>	<b>Pack</b>		
			<b>pc.</b>		
		93550	24		
		<b>Material: U23X</b>			
<b>16. Trunking plug</b>		<b>Part no.</b>	<b>Sizes mm A</b>	<b>Diameter plug mm</b>	<b>Pack pc.</b>
		25106	35	6	1.000
				<b>Material: U63X</b>	
		<b>Colour: Black</b>		<b>Material: U63X</b>	
		Note: Use drill bit $\varnothing$ 6 mm.			
		 Indoor use.			
<b>17. Modular adapter for flexible runway</b>		<b>Part no.</b>	<b>Application cover</b>	<b>Pack pc.</b>	
		51623-03	65	12	
		51624-03	80	12	
		<b>Colour: Aluminium RAL 9006</b>		<b>Material: U24X</b>	
<b>18. Universal (CEE) adapter 1 outlet</b>		<b>Part no.</b>	<b>Application cover</b>	<b>Pack pc.</b>	
		93604	80	12	
				<b>Material: U24X</b>	
		Note: 2 screws are included.			
<b>19. Flat faceplate RJ45</b>		<b>Part no.</b>	<b>Application cover</b>	<b>Pack pc.</b>	
		93751-03	65	6	
		93752-03	80	6	
		<b>Colour: Aluminium RAL 9006</b>		<b>Material: U24X</b>	
		Note: Compatible with RJ45 Systemax solutions and universal type Keystone (AMP, Krone, Nexans, Jetlan, Belden, Brand-Rex and Openet-ICS).			

20. Angled faceplate RJ45		Part no.	Application cover	Pack pc.
		93753-03	65	6
		93754-03	80	6
		<b>Colour: Aluminium RAL 9006</b>		<b>Material: U24X</b>
<p>Note: Compatible with RJ45 universal type Keystone (AMP, Krone, Nexans, Jetlan, Belden, Brand-Rex and Openet-ICS).</p>				

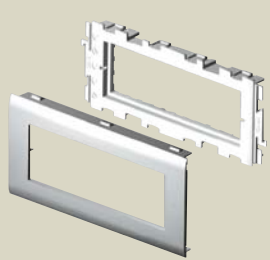
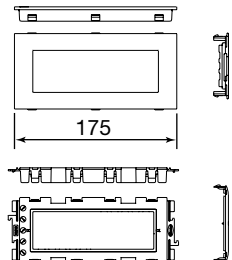
21. Adapter for modular outlets		Part no.	Outlets trademarks	Application cover	Pack pc.
		93623-03	Simon*27 (1)	65	12
		93624-03	Simon*27 (1)	80	12
		93635-03	ABB-Zenit* (2)	65	12
		93636-03	ABB-Zenit* (2)	80	12
		93661-03	BJC*, Sol (3)	65	12
		93662-03	BJC*, Sol (3)	80	12
		93653-03	Eunea-Unica* (1)	65	12
		93654-03	Eunea-Unica* (1)	80	12
93608-03	Mosaic* (1) (4)	65	12		
93609-03	Mosaic* (1) (4)	80	12		
		<b>Colour: Aluminium RAL 9006</b>		<b>Material: U24X</b>	
<p>Note: (1) Module 22,5x45 (2) Module 22x44 (3) Module 23x46 (4) Compatible with Simon Connect* K 45 and data connectors compatible with Mosaic*.</p>					

22. Adapter for 2 outlets (4 modules 22,5x45)		Part no.	Outlets trademarks	Application cover	Pack pc.
		93656-03	Eunea-Unica*	65	12
		93657-03	Eunea-Unica*	80	12
		93613-03	Mosaic* (1)	65	12
		93614-03	Mosaic* (1)	80	12
		<b>Colour: Aluminium RAL 9006</b>		<b>Material: U24X</b>	
<p>Note: (1) Compatible with Simon Connect* K 45 and data connectors compatible with Mosaic*.</p>					

22. Adapter for 500CIMA (2 modules)		Part no.	Application cover	Pack pc.
		93641-03	80	12
		<b>Colour: Aluminium RAL 9006</b>		<b>Material: U24X</b>



**23. Adapter for 3 outlets (6 modules 22,5x45)**

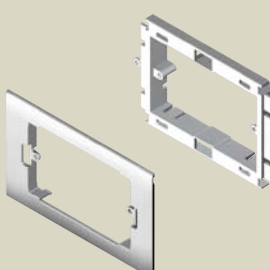
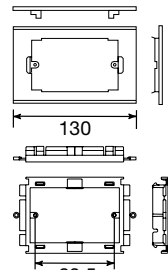



Part no.	Outlets trademarks	Application cover	Application box	Pack pc.
93618-03	Mosaic* (1)	65		12
93619-03	Mosaic* (1)	80		12

**Colour: Aluminium RAL 9006** **Material: U24X**

Note: (1) Compatible with Simon Connect\* K 45 and data connectors compatible with Mosaic\*.

**24. Adapter for Modular 25 (3 modules)**

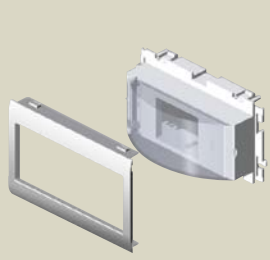
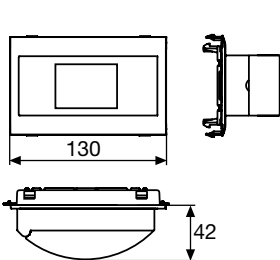



Part no.	Application cover	Application box	Pack pc.
93644-03	80	93719	12

**Colour: Aluminium RAL 9006** **Material: U24X**

Note: 2 screws are included.

**25. Adapter DIN (1 a 2 modules)**

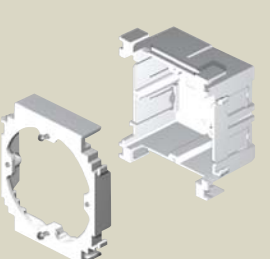
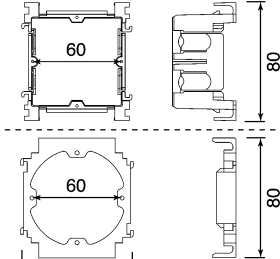



Part no.	Application cover	Application box	Pack pc.
93648-03	65	93718	4
93649-03	80	93719	4

**Colour: Aluminium RAL 9006** **Material: U24X**

Note: 1 rail DIN fixing included.  
In RAIL DIN outlets, the box is necessary to fix the outlet to trunkings of height 70 mm.


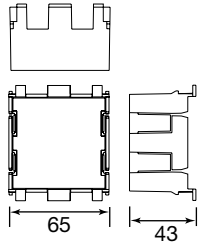
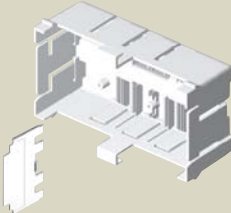
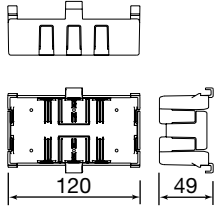
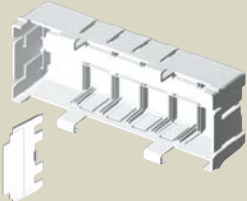
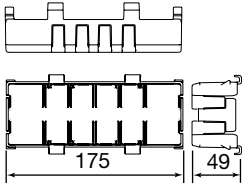
**26. Universal (CEE) socket box 1 outlet**

Part no.	Application cover	Pack pc.
93709	80	12

**Material: U24X**

Note: 2 pre-mounted screws are included.

27. Modular socket box		Part no.	Application cover	Pack
				pc.
		93713	65	12
		93714	80	12
		<b>Material: U24X</b>		
Note: The box is only necessary for circuit separation, not for fixing data connectors.				
28. 120 mm box		Part no.	Application cover	Pack
				pc.
		93718	65	12
		93719	80	12
		<b>Material: U24X</b>		
Note: The box is only necessary for circuit separation, not for fixing data connectors. In box part no. 93719, a divider part no. 93720 is included. This divider can also be purchased separately.				
29. 175 mm box		Part no.	Application cover	Pack
				pc.
		93728	65	12
		93729	80	12
		<b>Material: U24X</b>		
Note: The box is only necessary for circuit separation, not for fixing data connectors. In box part no. 93729, a divider part no. 93720 is included. This divider can also be purchased separately.				

# Useful cross-sections (mm<sup>2</sup>)

Sizes (mm)		50x80	50x100	50x150	50x170
Part numbers	Aluminium	93020-33	93021-33	93074-33	93076-33
<b>Mounting of switches and socket outlets</b>					
Universal outlets without box					
Modular outlets without box					
Universal outlets with box					
Modular/DIN outlets with box					
<b>Distribution</b>					
Without divider					
With divider					
With divider and corner-piece					

COPYRIGHT: All trademarks, brands or distinctive signs, of any kind, that might appear in the present website are the property of Unex aparellaje eléctrico, S.L. or of third parties. The use or access to the present website and/or to its services should not be interpreted, under no circumstances, as conferring any rights to the User on the mentioned trademarks, brands or distinctive signs.

Furthermore, all Contents are the property of Unex aparellaje eléctrico, S.L. or of third parties. As stated in the mentioned Legal Notice, none of the operation rights existing or that might exist about the mentioned Contents should be understood as transferable to the User, beyond those strictly necessary for the correct use of the Portal and the Services.